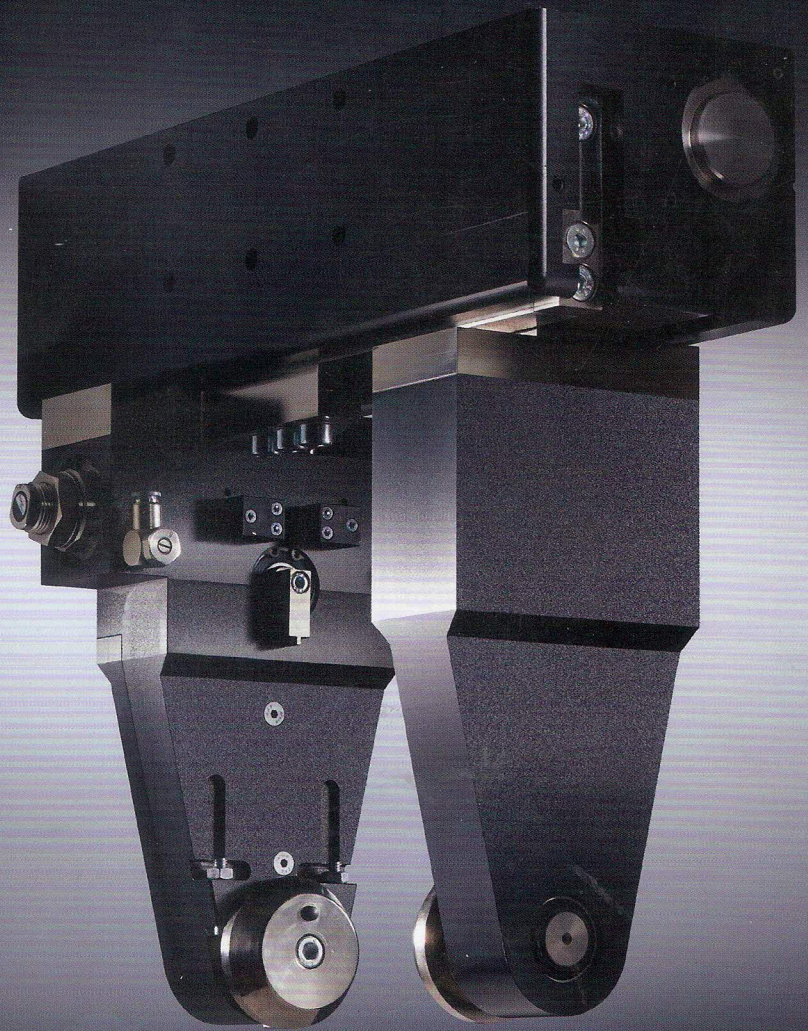
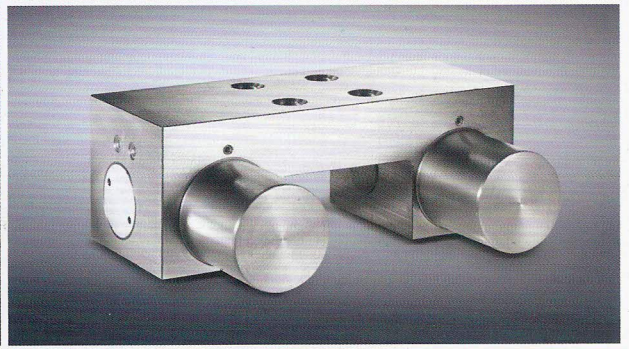
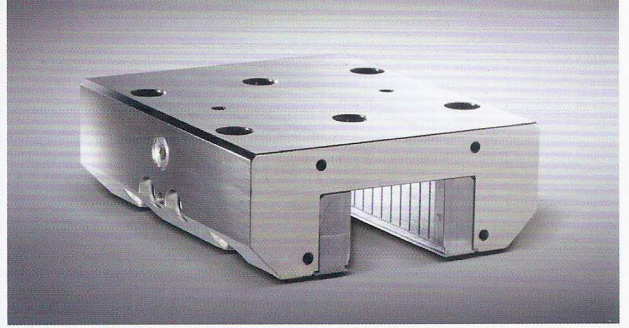
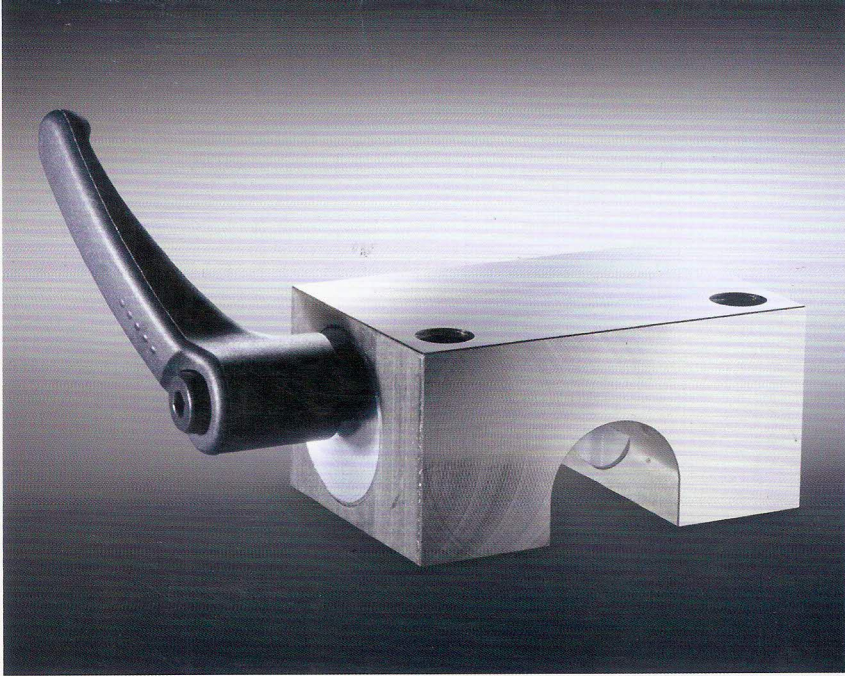


Handling technology 1

Grippers
Rotary grippers
Swivel and rotary modules
Linear modules
Cutting tongs
Separators
Ball joints
Sensors and holders
Valves, connectors, accessories

THE KNOW-HOW FACTORY

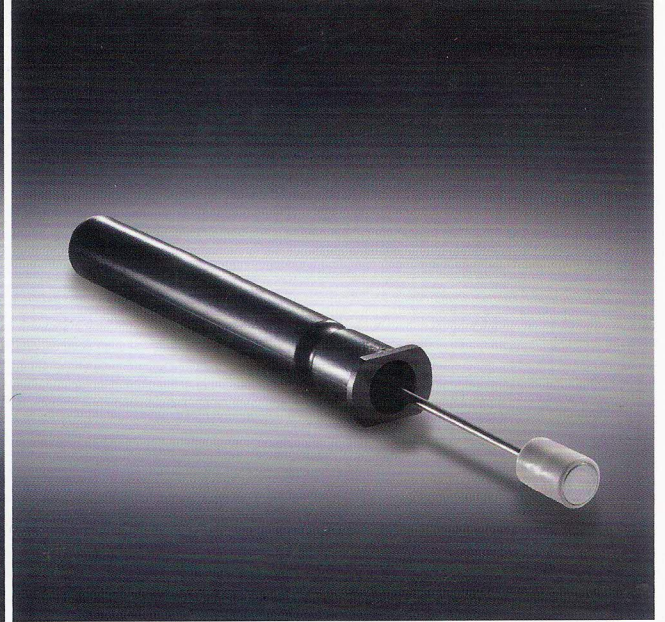
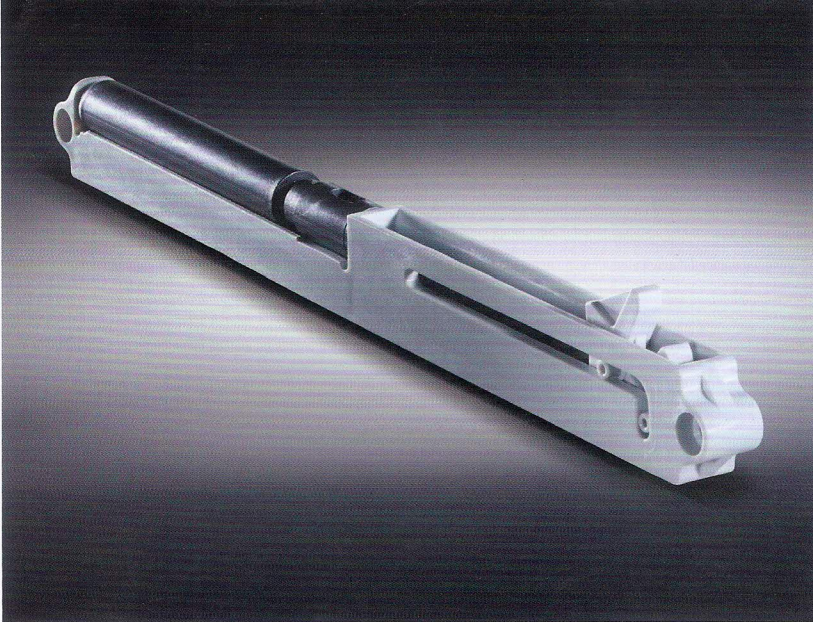




Linear technology

- Clamping and braking elements
- + for profile rail guides
- + for circular and shaft guides

THE KNOW-HOW FACTORY



Damping technology

Industrial

+ Shock absorbers

Soft close

+ Damping for drawers

+ Damping for sliding doors

+ Damping for lids

+ Damping for hinges

+ Retrofit sets

THE KNOW-HOW FACTORY